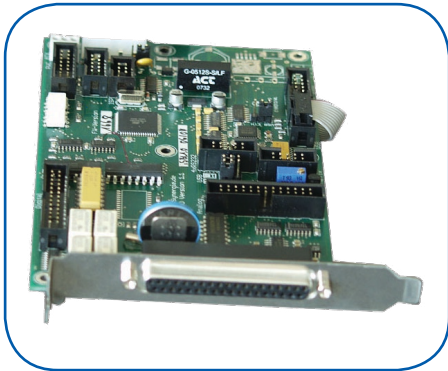


iSGPIO Expansion Card

IS-CC-GPIO



Specifications

Internal slot card with watchdog and calendar functions

- 4 optically isolated digital inputs
- 4 relay changers 48V / 60W
- 8 analog outputs 0-10V
- 8 analog inputs 0-10V
- 8 IR transmitters
- 1 IR receiver
- Connector for a 4 x 4 matrix keypad
- Connection over internal USB interface
- Net weight: approx. 100 g

Power supply of the iSGPIO Expansion Card

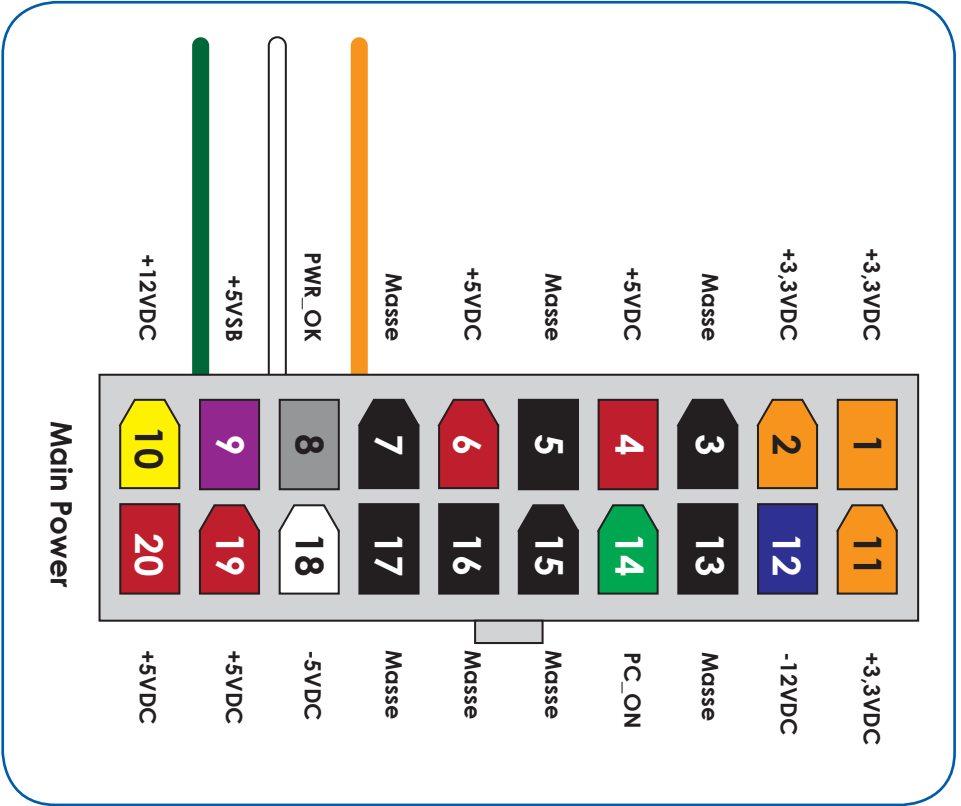
The iSGPIO Expansion Card gives you two different options to connect to a power supply

1. Direct connect to the Mainboard ATX connector (Jumper settings on iSGPIO Expansion Card = ATX5V)
 - remote switch-on by digital input 1
 - scheduler functions available
 - wiring of the ATX power supply required (see Page 2)
 - cross connect between iSGPIO Slotcard and Mainboard required (see Page 3)
2. ATX hard disc connector (Jumper settings on GPIO Card = 5VSB)
 - no remote switch on
 - scheduler functions are not available
 - no wiring necessary

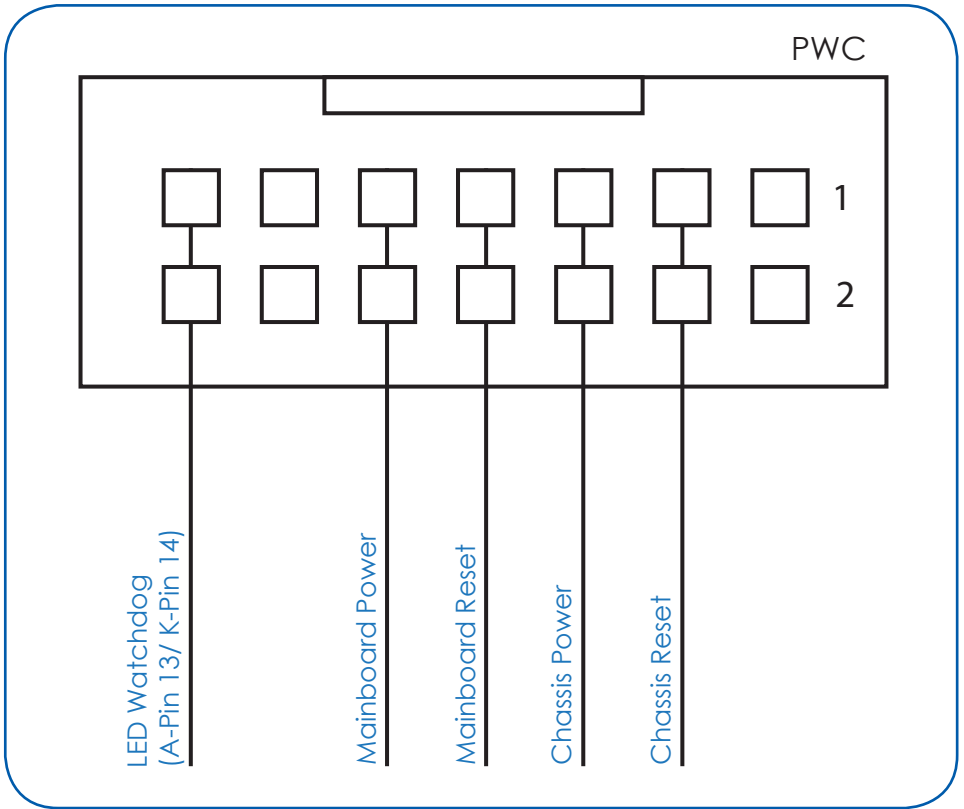
Digital Input 1 as on-/off-button

The digital input one may be used as distant switch on contact. Switch a tension actively to input one (see also circuit page 4) and activate the hook at „**Use Digital IN one as Power On/Off indication**“ under watchdog in the iSGPIO software.

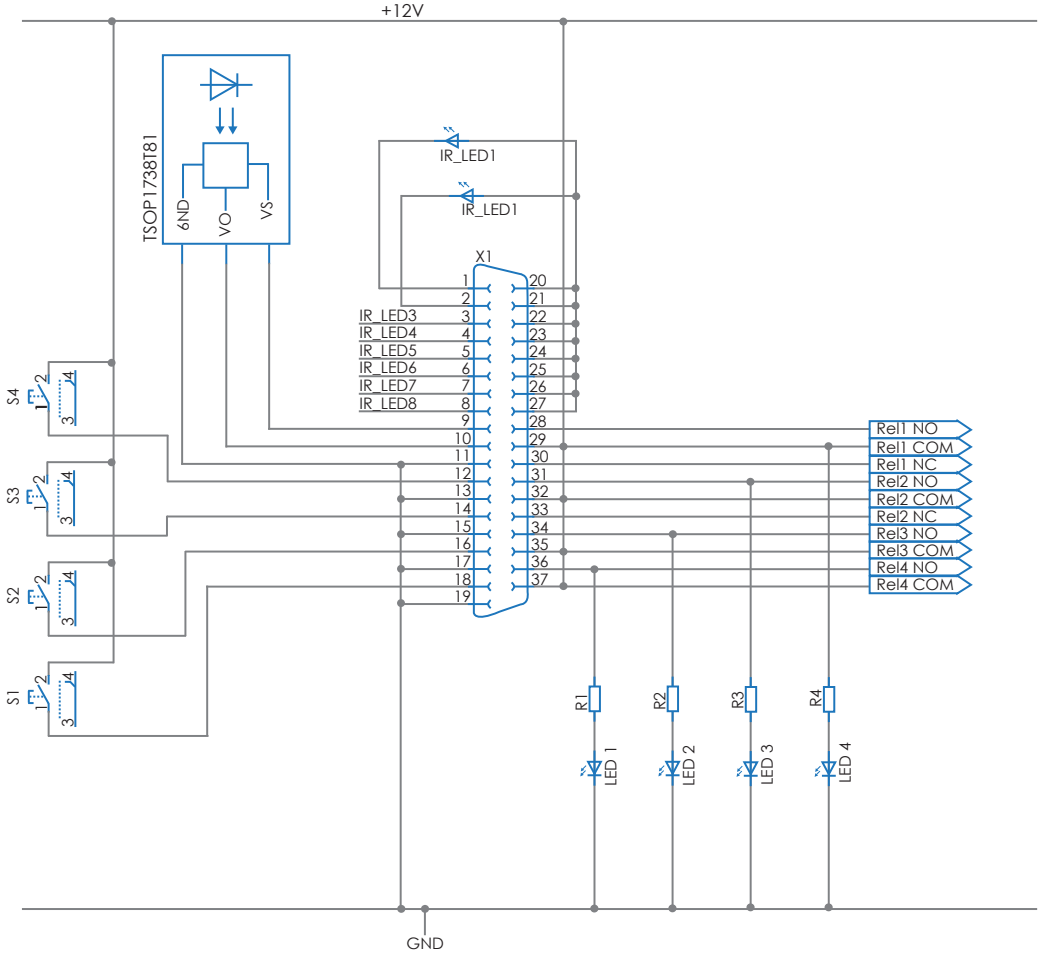
Power supply ATX



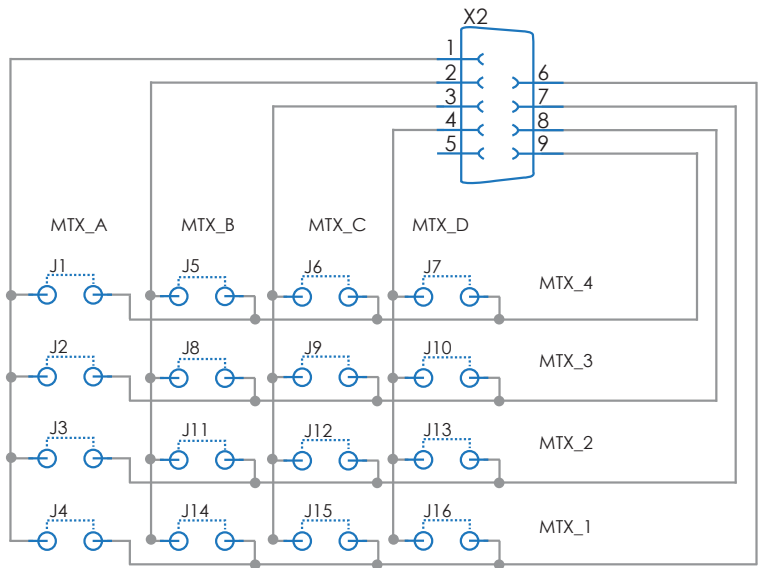
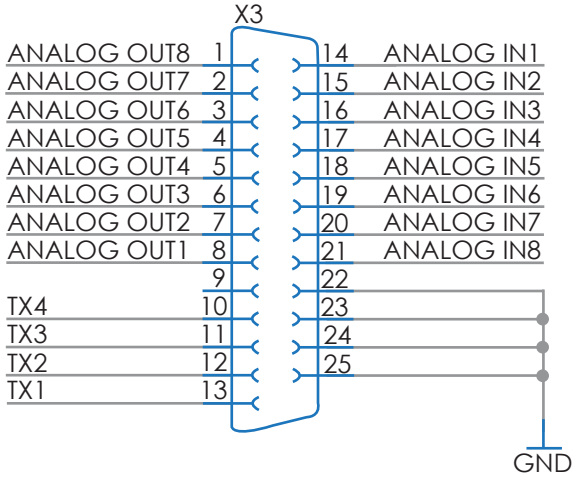
cross connection iSGPIO Expansion Card - Mainboard (14 pin.)



sample wiring diagram



sample wiring diagram



**WEEE Reg Nr.
DE 931 450 93**



SECURITY-INFORMATION

IMPORTANT! IN ORDER TO PREVENT THE DANGER OF FIRE OR ELECTRIC JOLT, DO NOT EXPOSE THIS APPLIANCE TO RAIN OR MOISTURE.

CAUTION: IN ORDER TO AVOID THE RISK OF AN ELECTRIC HIT, DO NOT REMOVE CASING-COVERS (OR REAR WALL). IN THE INTERIOR YOU WILL FIND NO REPAIRABLE PARTS. REPAIRS ARE ALLOWED ONLY BY QUALIFIED TECHNICIANS.

AVOID THE INSTALLATION AT PLACES WITH:

direct sunlight, moisture or bad air circulation, extreme heat or cold, vibration, dust, greasy smoke, steam or heat (for example a kitchen)

DO NOT PUT ANY SUBJECTS ON THE APPLIANCE

DO NOT OBSTRUCT VENTILATION-OPENINGS

Do not put the appliance on long-hair carpetings, beds or sofas, and do not cover it with a cloth or similar item. This may hinder the heat-drainage and may lead to damages.

AVOID HEAT!

Do not put the appliance on other appliances, that generate heat, like for example intensifiers. If you install the appliance into a rack, you should keep it in distance of appliances which produce heat.

BE CAREFUL WITH THE POWER CORD

A damaged power cord may cause a fire or an electric hit.